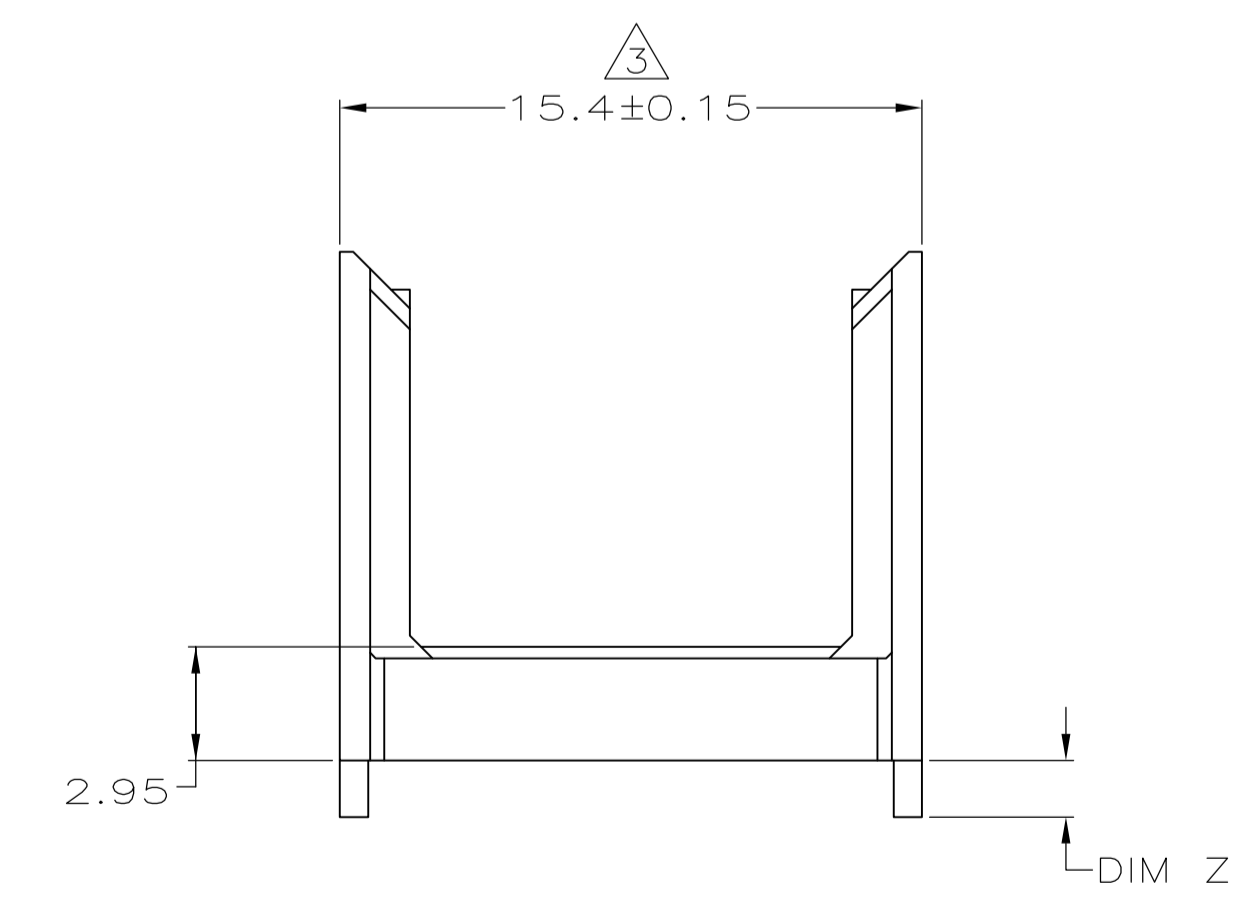
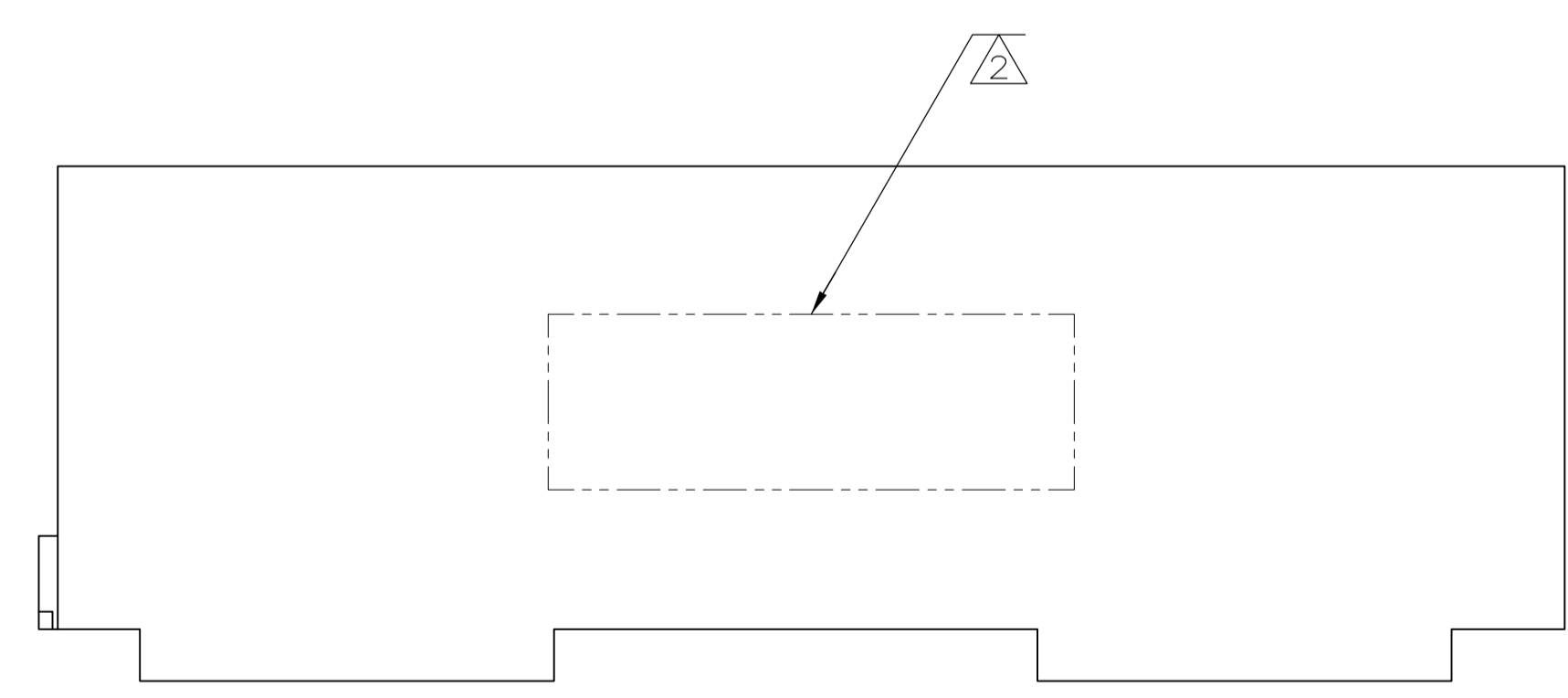
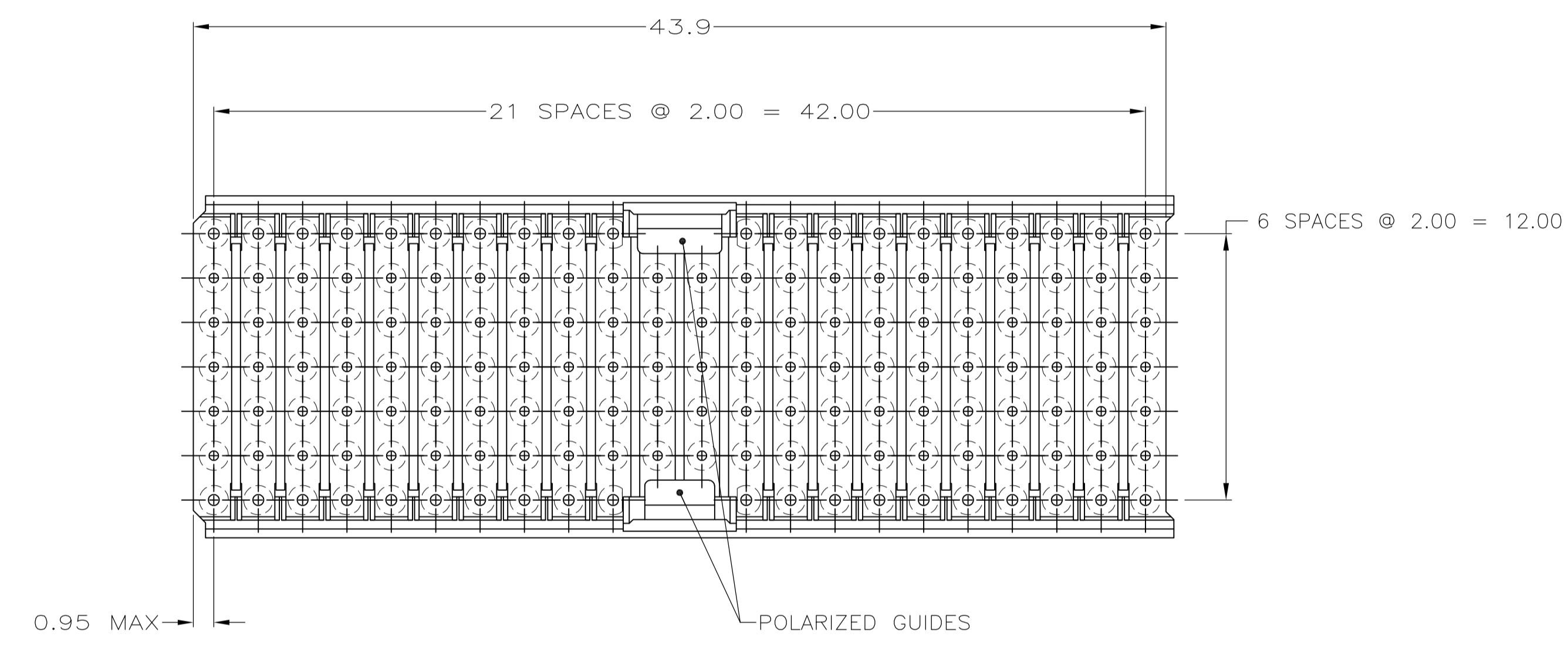
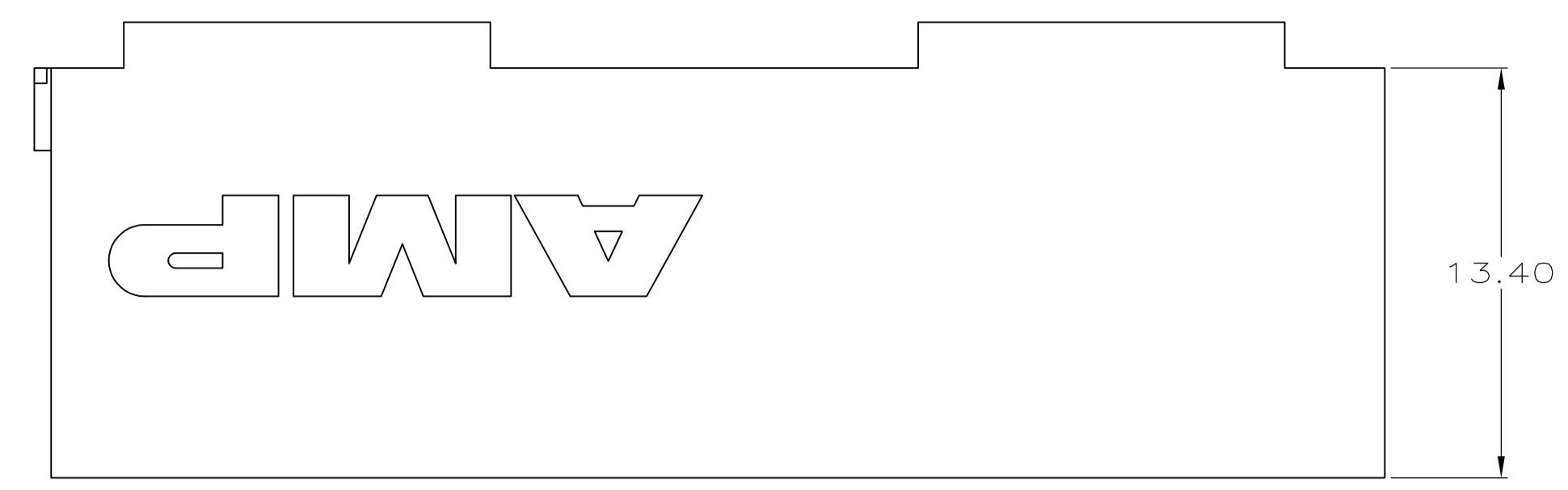


| LOC |    | DIST |     | REVISIONS                 |           |     |      |
|-----|----|------|-----|---------------------------|-----------|-----|------|
| AD  | 47 | REV  | LTR | DESCRIPTION               | DATE      | DWN | APVO |
|     |    | C    |     | REV PER EC OU1B-0192-01   | 27 JUN 01 | BC  | RP   |
|     |    | C1   |     | REVISED PER ECO-10-000443 | 15JAN10   | KK  | AEG  |
|     |    | D    |     | ECR-10-019054             | 15SEP10   | DP  | MQW  |

- △1 MATERIAL: GLASS FILLED POLYESTER.
- △2 PART NUMBER MARKED IN APPROXIMATE AREA SHOWN.
- △3 TO BE MEASURED AT BASE OF SHROUD.
- △4 OBSOLETE PARTS: OBSOLETE CIS STREAMLINING PER D.RENAUD/D.SINIS



| △ OBSOLETE | 1.90  | 646484-7    |
|------------|-------|-------------|
|            | 1.70  | 646484-6    |
|            | 1.50  | 646484-5    |
|            | 1.30  | 646484-4    |
| △ OBSOLETE | 1.10  | 646484-3    |
|            | 0.90  | 646484-2    |
|            |       | 646484-1    |
|            | DIM Z | PART NUMBER |

THIS DRAWING IS A CONTROLLED DOCUMENT.

|                |  |                           |   |
|----------------|--|---------------------------|---|
| DIMENSIONS: mm | TOLERANCES UNLESS OTHERWISE SPECIFIED: | DWN: T. SHUEY 6-9-98      | AMP Incorporated Harrisburg, PA 17105-3608                    |
| 0-PLC ±        | 0-PLC ±                                | CHK: G. SKIPPER 11-23-98  |   |
| 1-PLC ±0.1     | 1-PLC ±0.1                             | APVO: G. SKIPPER 11-23-98 | NAME: SHROUD,A-B,Z-PACK 2mm HM,5 ROW, 150 POSITION,WITH GUIDE |
| 2-PLC ±0.05    | 2-PLC ±0.05 ±0.2                       | PRODUCT SPEC              | APPLICATION SPEC  |
| 3-PLC ±        | 3-PLC ±                                | SIZE                      | SCALE   |
| 4-PLC ±        | 4-PLC ±                                | WEIGHT                    | RESTRICTED TO   |
| ANGLES ±       | ANGLES ±                               | A100779                   | 646484  |
| MATERIAL: △1   | FINISH                                 | CUSTOMER DRAWING          | SCALE: 5:1 SHEET 1 of 1 REV 0                                 |